

One Year Limited Warranty

Hollywood Controls Inc ("the Company") warrants this HC2210 10A Power Module against defects in material or workmanship for one year from date of original purchase. The Company, at its option, will repair or replace the components and return them to you free of charge.

This warranty is extended only to the original purchaser on record with the Company.

Your remedy is limited to this warranty policy. This warranty only covers product failure that occurs due to defects in material and workmanship occurring during the normal expected use of the product. It does not cover damage caused by accident, misuse, abuse, lack of reasonable care, alterations or improper installation.

There are no expressed warranties except as described above.

THE COMPANY SHALL NOT BE LIABLE FOR INCIDENTAL, SPECIAL OR CONSEQUENTIAL DAMAGES RESULTING FROM THE USE OF THIS PRODUCT OR ARISING OUT OF ANY BREACH OF THIS WARRANTY. ALL IMPLIED WARRANTIES, IF ANY, INCLUDING IMPLIED WARRANTIES OF MERCHANTABILITY AND FITNESS FOR A PARTICULAR PURPOSE, ARE LIMITED IN DURATION TO THE DURATION OF THIS EXPRESS WARRANTY. Some states do not allow the exclusion or limitation of incidental or consequential damages, or limitations on how long an implied warranty lasts, so

the above exclusions or limitations may not apply to you.

No other warranty, written or verbal, is authorized by the Company. This warranty gives you specific legal rights and you may also have other rights which vary from state to state.

For service during the warranty period you must first contact the Company for an Return Merchandise Number (RMA) number. The Company will help you determine which part requires service and ask that you return that component ONLY. The Company, at its option, will repair or replace the components and return them to you free of charge. All returned components must be accompanied by a RMA number issued by the Company and be returned by insured prepaid freight. Products returned without a Company issued RMA will not be accepted. The Company is not responsible for merchandise damaged in transit. Evident or concealed damage made in transit should be reported at once to the delivery carrier and a claim filed with them.

The Company reserves the right to change or modify the operation, design, components and description of this system without notice.

HOLLYWOOD CONTROLS INC.

Toll-free: 888-318-2380

sales@hollywoodcontrols.com

© 2009 Hollywood Controls Inc 04/10 R4



Hollywood Controls Inc. 10A 120VAC Logic Controlled Power Module

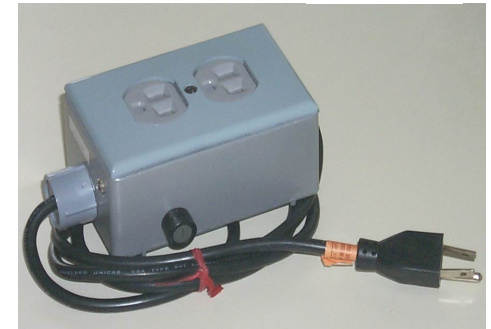


Model: HC2210

10A AC Relay Power Module w/Isolated Control

Features:

- 10A AC Relay
- Lightweight Case
- Negative Trigger (contact closure) Isolated Control
- Fused
- Selectable NO/NC Action on Upper Outlet



Index:

<i>Safety Precautions</i>	1
<i>General Description</i>	1
<i>Product Description</i>	2
<i>Operation & Use</i>	2
<i>Servicing</i>	3
<i>Warranty</i>	4

Safety Precautions

- DO NOT alter or remove labels.
- Keep dry, the Module is not waterproof.
- Always remove power from systems before servicing Module or controlled devices.
- NEVER DEPEND on logic control to deactivate controlled system during setup, maintenance, or repair. Sudden power activation could cause serious personal injury or electrocution.

General Description

The HC2210 10A 120VAC Power Module offers easy control of many AC appliances, including motors, lighting and electronics. The unit has a 10A 250V replaceable fuse in the side. On/off control is provided through a standard RCA phono-jack. Activation is asserted simply shorting RCA center pin to outer shield. The control circuit is fully separated from the controlled AC circuit by low voltage magnetic isolation.

Components for this System

1. HC2210 Power Module

Product Description Safety

The HC2210 is a rugged and simple-to-use 120VAC switching module with a standard 15A duplex outlet, a ABC 10A 250V replaceable fuse and a isolated RCA jack for turning the device on and off.

The control signal is a contact closure (negative trigger) type. It is a simple matter to hook up the AC appliance, wire in the control supply and plug in the HC2210 Power Module.

As with any 120VAC hardware, take every precaution possible to insure that the controlled device **cannot turn on unexpectedly**. That means than before servicing your setup, unplug the AC line to the HC2210 Module. Insure that, while operating, there can be no unanticipated activating of the controlled device. **DO NOT rely on turning off or unplugging the RCA control plug.**

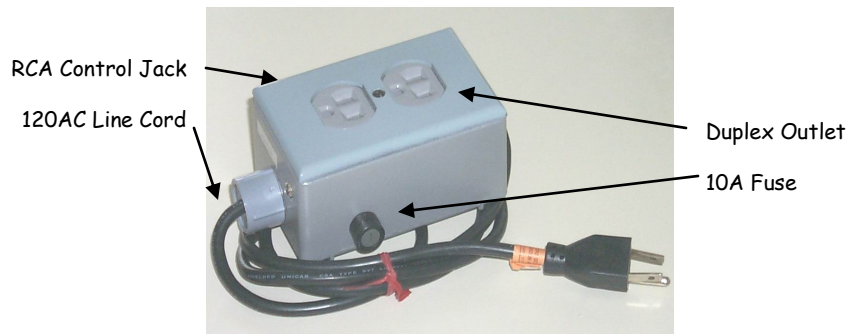


Figure 1 - HC2210 10A 120VAC Logic Power Module

Operation & Use

Operation is simple and straight-forward. If you are using your own trigger source to turn on the HC2210 Power Module it is important that it not apply any power to the RCA jack. Your trigger circuit must be a contact closure trigger that shorts the RCA pin to the shield.

Figure 1 shows a view of Module and the associated connections. Note the fuse holder and control jack.

Figure 2 shows how to connect the HC2210 10A Power Module to our

HC0105B Manual Push Button or HC0120R Pressure Foot Pad to activate 120VAC loads.

For permanent or semi-permanent installations, there are small mounting tabs on the sides of the Power Module.

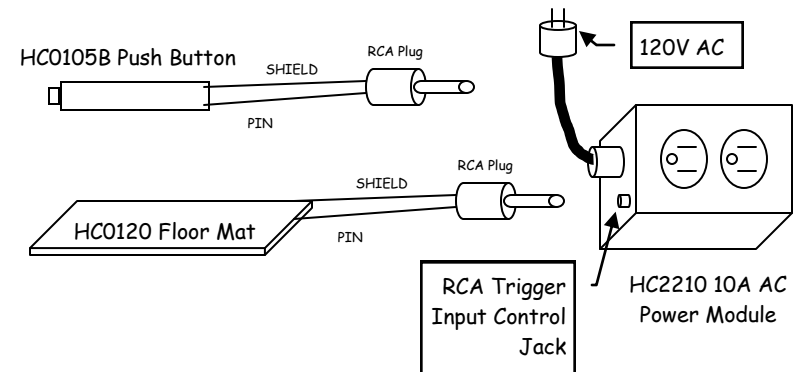


Figure 2 - Connection setup for triggering an HC2210 10A AC Power Module from a HC0120 floor mat or HC0105B Push Button.

Servicing

Your Hollywood Controls HC2210 10A 120VAC Logic Power Module should provide many seasons of *haunted activation* without maintenance.

It is shipped with both halves of the duplex outlet wired for NO (normally open) operation. A qualified electrician can isolate the top outlet by cutting the outlet shorting tab and adding a jumper wire from the upper outlet to the 'NC' Faston lug on the internal PCB marked "J2".

This will provide a "flip-flop" behavior suitable for "Peppers Ghost" type applications.

Fuse Replacement

If the Power Module fails to turn on, or there is a suspicion that the Module was overloaded, you should check the protective fuse. **Unplug the 120VAC line cord before attempting servicing.** Turn the fuse holder Cap 1/4 turn to remove the cap and the fuse will spring out. Test with an ohm-meter or continuity checker. If bad, recheck wiring and load configuration before replacing fuse. Replace with a ABC/AGC/MDL 10A 250V fuse as appropriate.